



OVER 75 YEARS  
OF PRECISION IN  
CLAMPING TECHNOLOGY



## THE POWER OF HYDRAULICS WITH PNEUMATIC OPERATION PNEUMATIC CLAMPING UNIT TYPE PHZ

Nann extends the range of products in the field of standard clamping devices by introducing the pneumatic clamping unit type PHZ. The newly designed clamping unit has the power of a hydraulic device and can be mounted horizontally as well as vertically.

Due to its ground housing and small size, several units can be connected in parallel. The pneumatic clamping device type PHZ designed by Nann for workpiece clamping is available for standard clamping heads SK 42, SK 52 and SK 65. Further sizes and types are being planned.



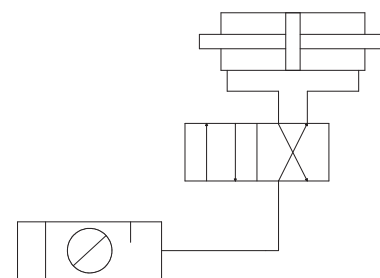
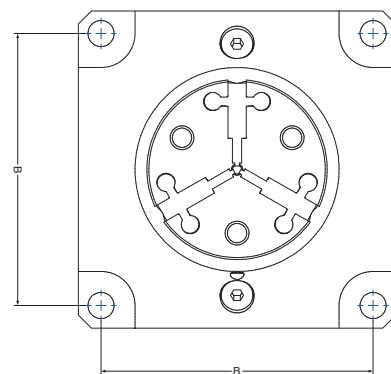
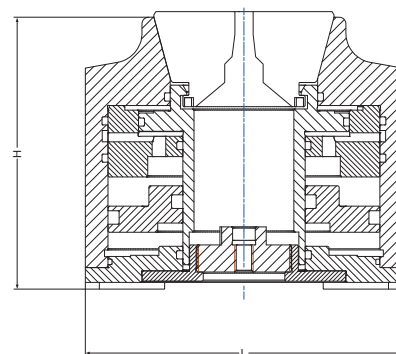
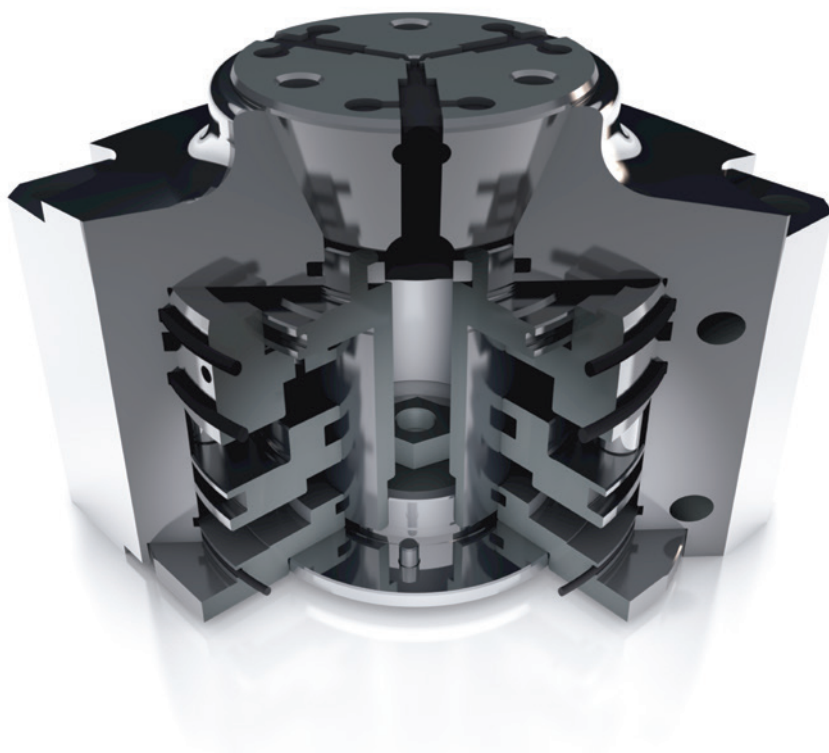
## MORE EFFICIENT PNEUMATIC CLAMPING OPERATION

The pneumatic clamping unit type PHZ features an internally fixed and replaceable workpiece stop. Thus, the maximum clamping range of the clamping head can be used as a through-bore. The integrated pressure transmission provides for high clamping forces. Pneumatically operated clamping and release are accomplished at a pressure of 6 bar by the clamping unit type

PHZ; compressed air has to be used permanently during clamping operation. Actuation requires a 4/2-path valve.

During clamping operation the clamping head is pulled into the chuck generating a pull-down effect. Furthermore, the hardened housing offers a high degree of wear protection.

High clamping forces with pneumatic operation: the clamping unit type PHZ is pneumatically controlled via a 4/2-path valve, however, it achieves the clamping power of a hydraulic device.



### Contact us

Our skilled team awaits you with a profound technical understanding. You will benefit from the close cooperation with our development and production departments. Your requests will be in the best hands – contact us by phone on +49(0)7429 392-0. We look forward to speaking with you.